

# FORGE

## BASIC HELMET

### MYTHOLOGICAL LORE:

The most important weapon at any demigod's disposal isn't their sword, it's their brain. And the best way to protect a hero's brain has always been a heroic helmet! Whether it be the Helm of Terror that Sigurd claimed from the dragon Fafnir's hoard, or the Helm of Hades that grants the wearer invisibility, a quality helmet is a must-have for any stylish demigod.

This helmet build is designed to be a blank slate that demigods can customize to resemble any number of classic helmet styles by adding different face-guard pieces.

### MATERIALS NEEDED:

- Duct tape
- 1 panel of cardboard
- Scissors
- Decoration materials (markers, paint pens, colored duct tape)

### SAFETY PROTOCOL:

- Cover safe use of scissors
- Always have your spare hand clear of the path of the scissors.
- When scissors are not in use, store them securely in a safe location.
  - If handing scissors to another person, close them first and then hand them by holding the blade.

### CHANGE IT UP

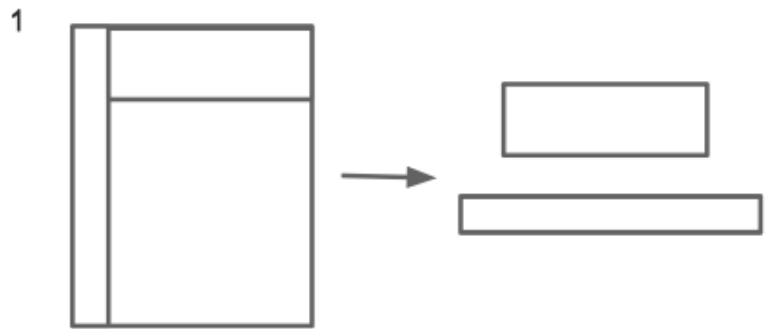
- **OPTION 1:** For a fuller helmet, try adding more strips of cardboard to fill the gaps in the top, and/or hang down on the sides/back.
- **OPTION 2:** For a more challenging, but very cool looking helmet, try doing the head piece entirely out of duct tape. Start with the same basic structure of a strap around your head and a strap over the top, then keep adding strips of duct tape to fill it out. Just be sure to fully tape over any exposed sticky-side, no one wants a helmet stuck to their head!
- **OPTION 3:** Experiment with decoration! Can you turn your helmet into a wolf's head? What about giving it a minotaur's horns? Or a classic Trojan plume?

# FORGE

## BASIC HELMET

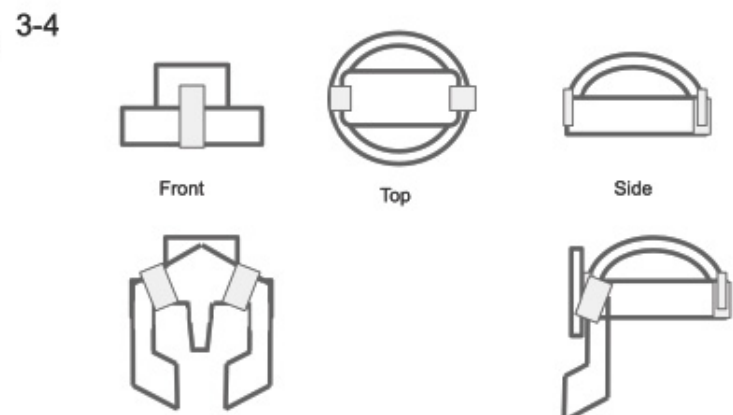
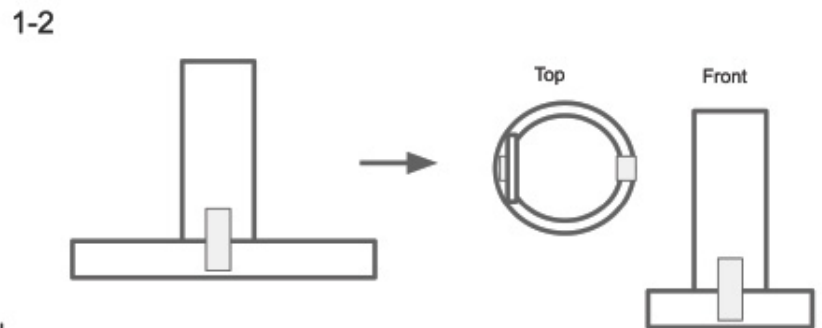
### Cutting the Cardboard

1. Cut two strips of cardboard.
  - a. One should be about two inches wide, and long enough to wrap around a demigod's head
  - b. The other should be about twice the width, and long enough to arc from the demigod's forehead to the back of their head.
2. With the remaining section of cardboard, cut out piece(s) for your faceguard. These can take many forms. A few popular examples are pictured.



### Assembling the Helmet

1. Tape the wide strip perpendicular to the center of the longer strip.
2. Wrap the longer strip around into a circle that will fit snugly around the demigod's head, and tape the ends together.
3. Bend the wider strip down and tape its other end to the back of the circle, forming an arch.
4. Tape your faceguard to the front of the circle, bending to shape as necessary.



# FORGE

## BASIC HELMET

### Finished Product

